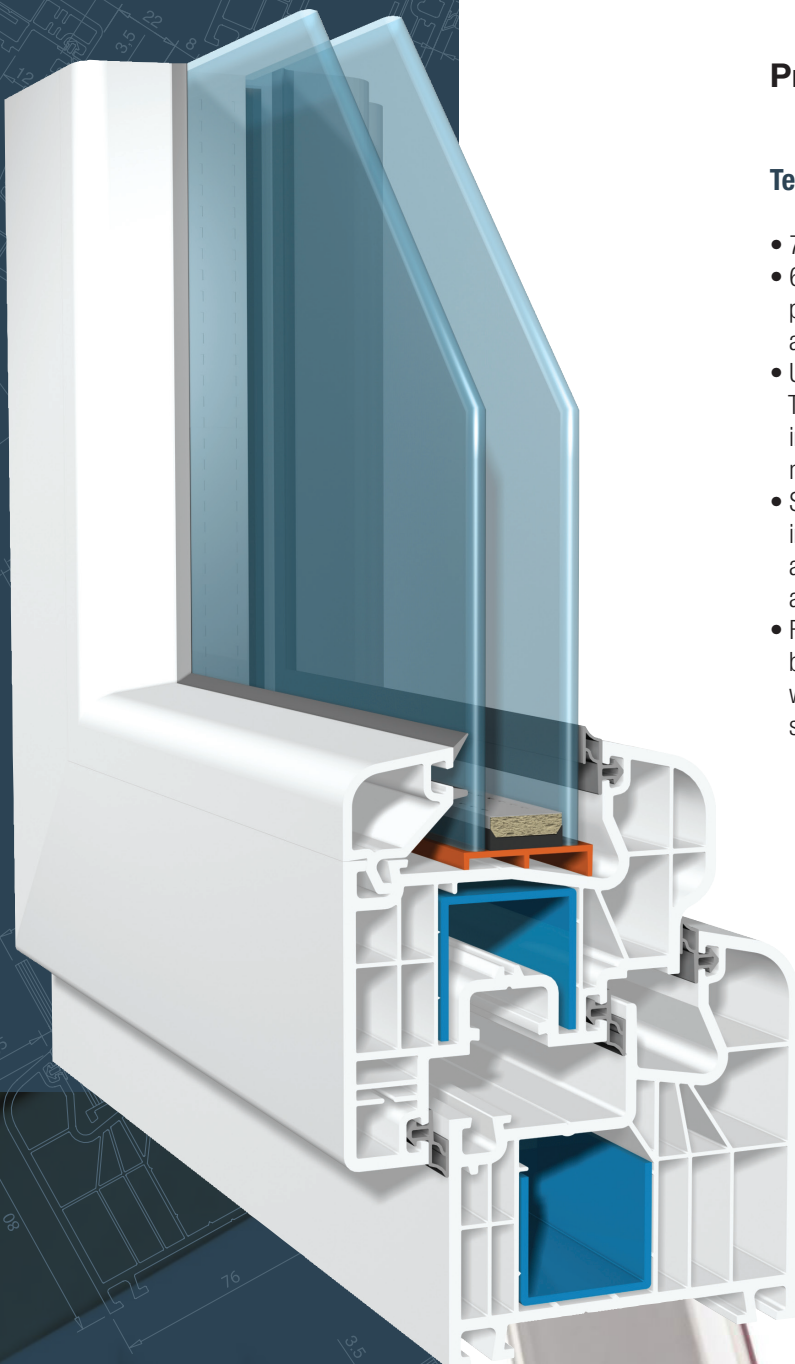


## Pro 76 Serie

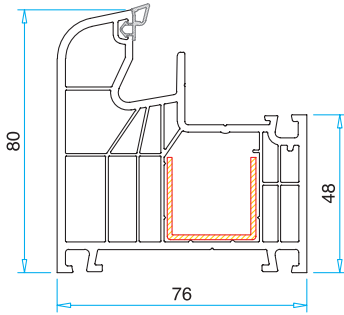
### Technical Specifications

- 76 mm profile width,
- 6 large chamber with 3 seals, provides an excellent heat, sound and water insulation.
- Unique support sheet and automatic TPV gray seals all yield lower inventory costs and speedy manufacturing.
- Single layer (4-6 mm) or heat insulating glass (20-24-32-36 mm) at different thickness may be applied with gray seals.
- Furthermore, 3 layered glasses and blind glasses, with shutter (equipped with motor or motorless) or without shutter.

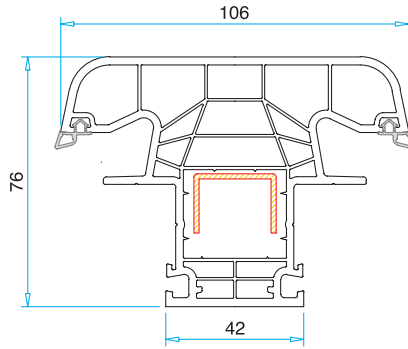
Pro 76  
Serie



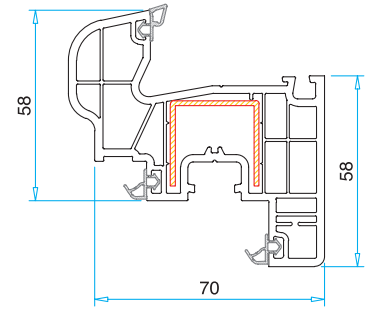
# Pro 76 Serie



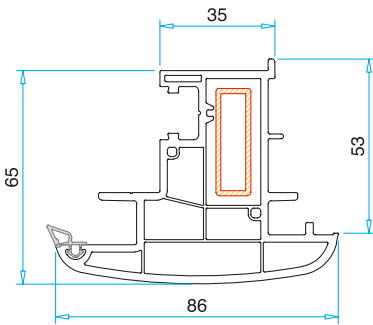
Frame Profile  
PRP.7170



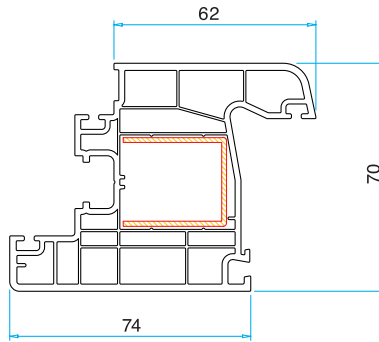
Mullion Profile  
PRP.7370



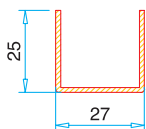
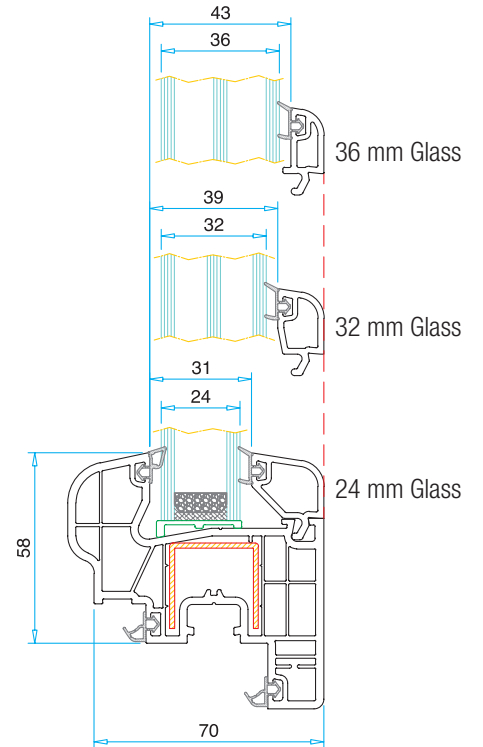
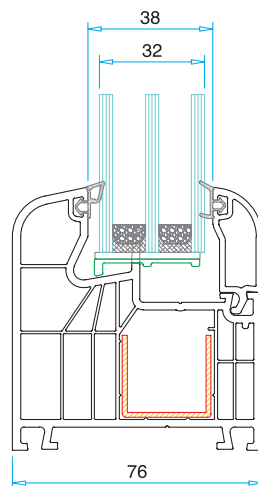
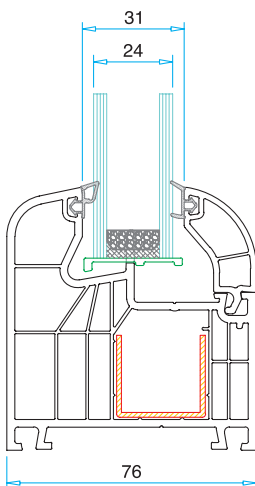
Sash Profile  
PRP.7570



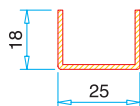
Mullion Rebate Profile  
PRP.7640



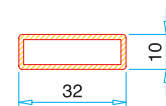
Door Sash Profile 70 mm  
PRP.7480



Frame / Sash Reinforcement



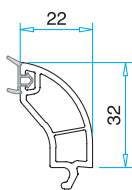
Mullion Reinforcement



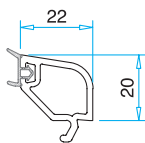
Mullion Rebate Reinforcement

# Pro 76 Serie

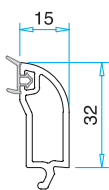
## Technical Drawing



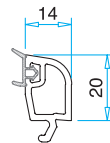
24 mm Frame  
Glazing Bead  
PRP.7806



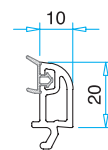
24 mm Sash  
Glazing Bead  
PRP.7804



32 mm Frame  
Glazing Bead  
PRP.7810



32 mm Sash  
Glazing Bead  
PRP.7808



36 mm Sash  
Glazing Bead  
PRP.7812

